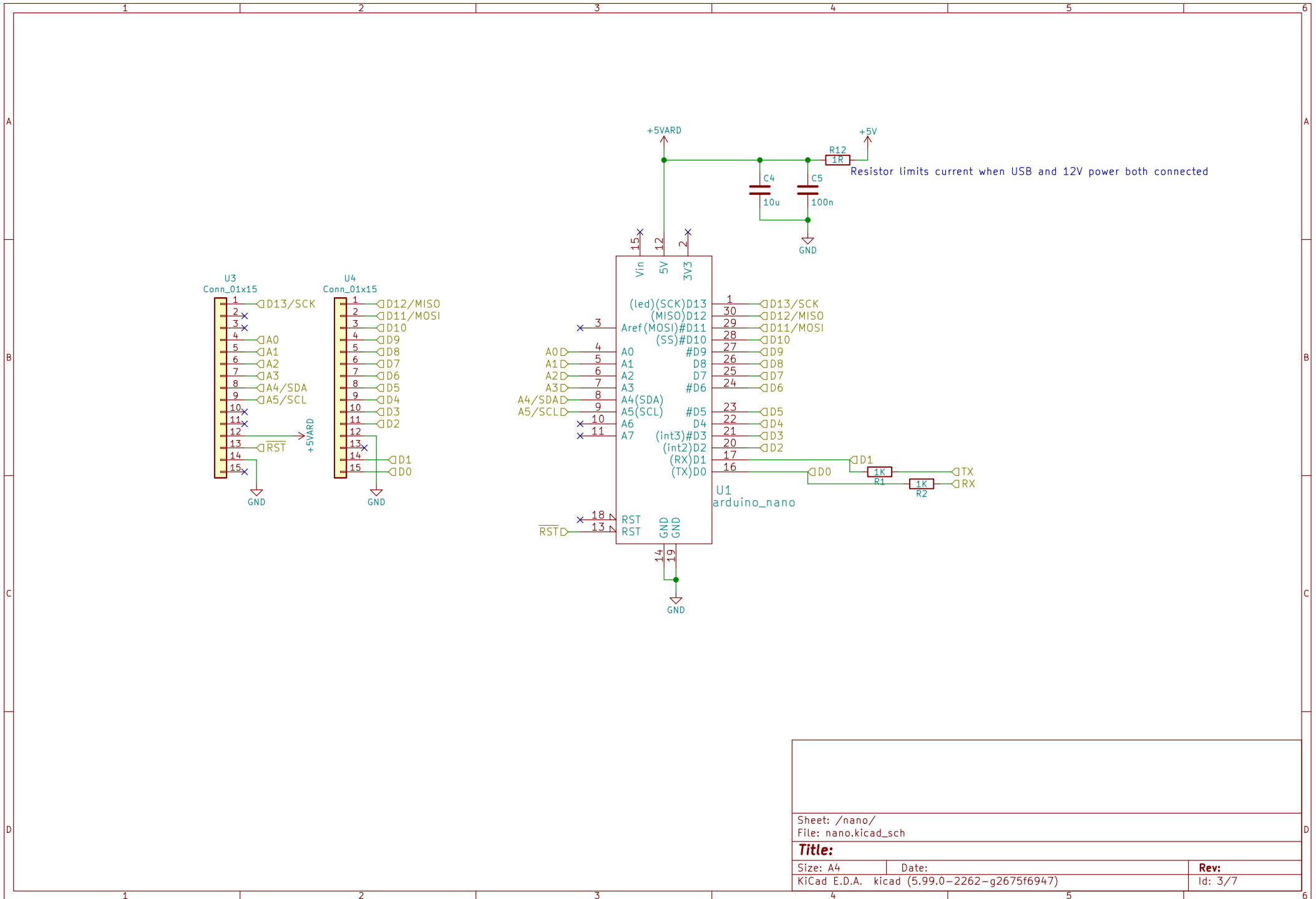


Sheet: /misc\_io/  
 File: misc\_io.kicad\_sch

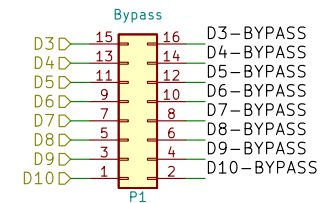
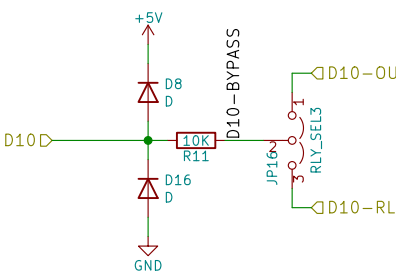
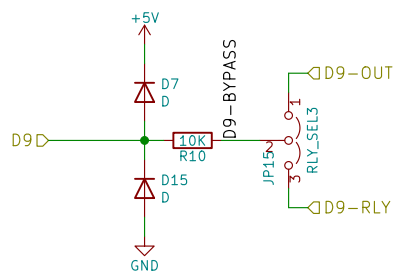
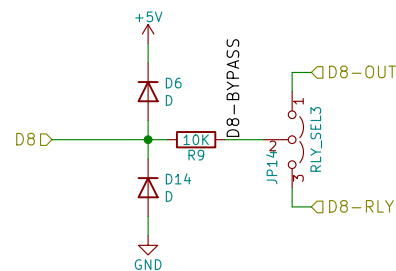
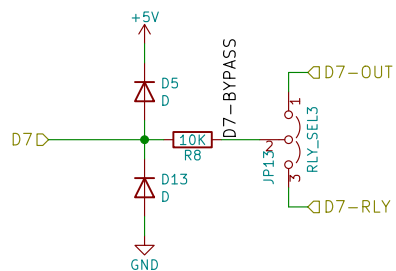
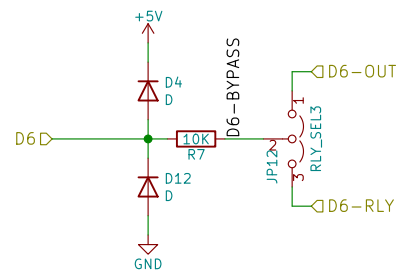
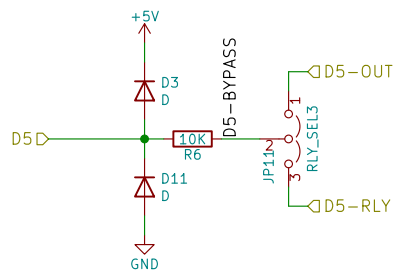
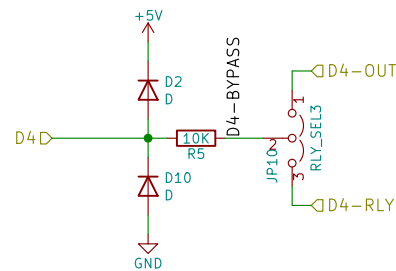
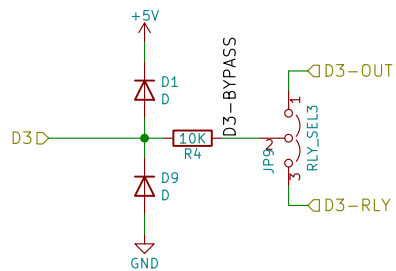
**Title:**

Size: A4 Date: KiCad E.D.A. kicad (5.99.0-2262-g2675f6947)

Rev: Id: 2/7

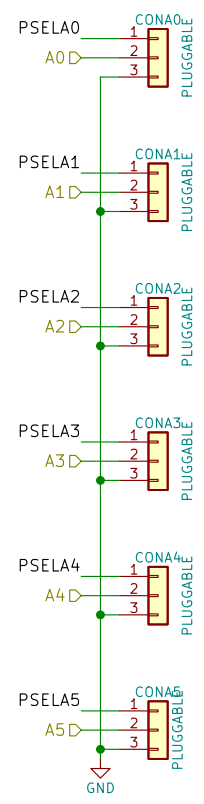
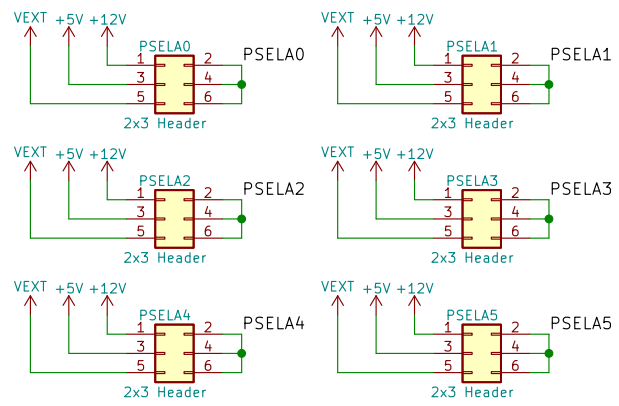


Sheet: /nano/		Date:	
File: nano.kicad_sch		Rev:	
Size: A4	KiCad E.D.A. kicad (5.99.0-2262-g2675f6947)		Id: 3/7

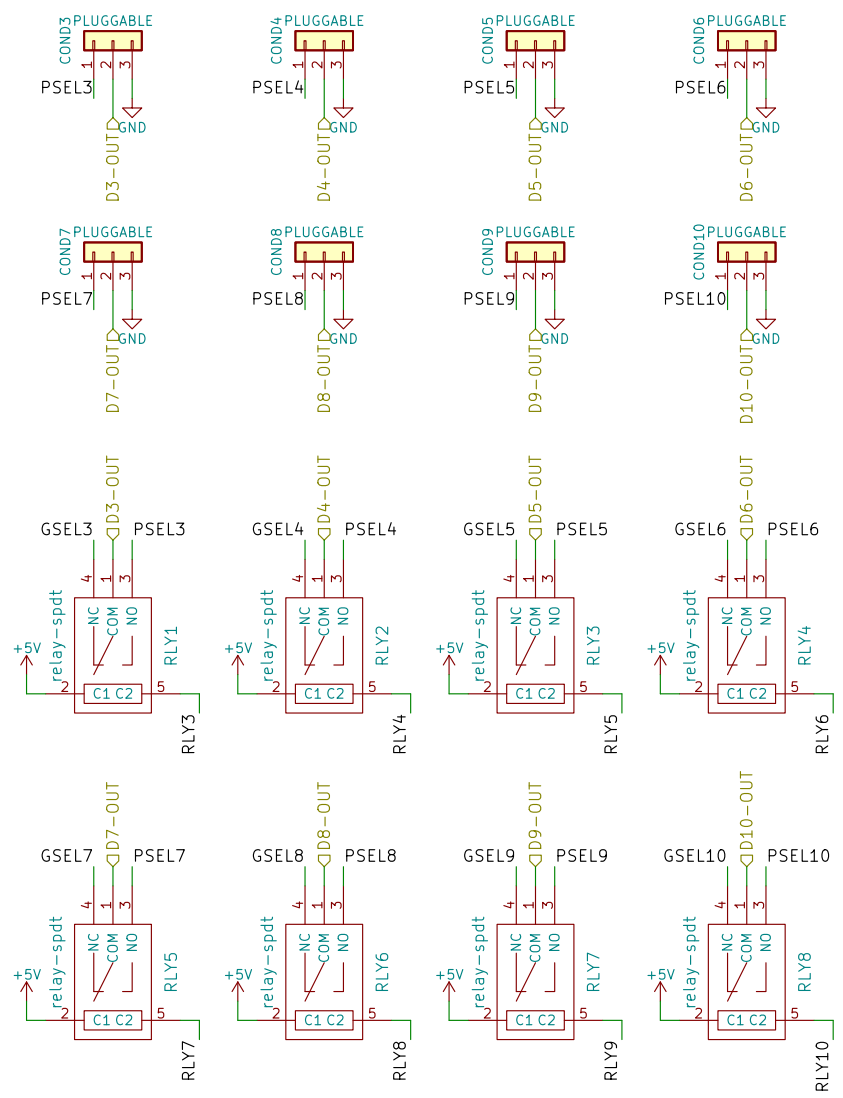
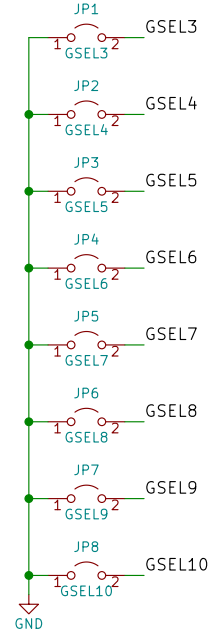
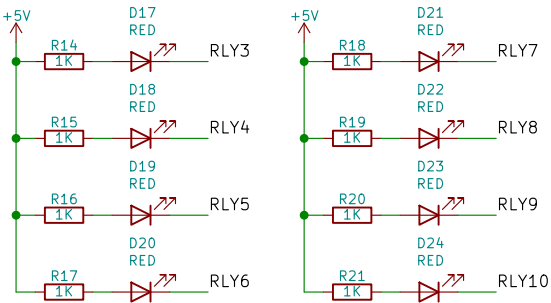
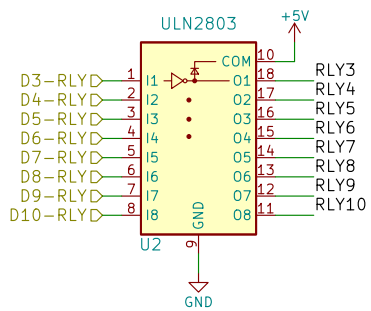
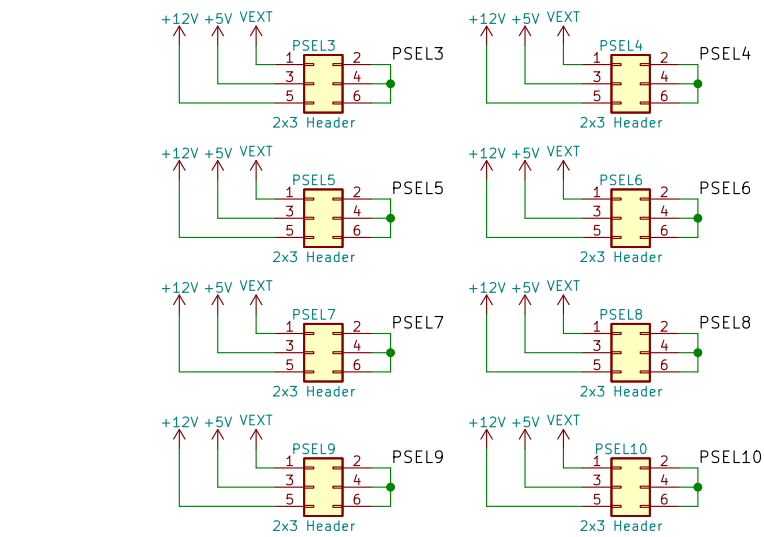


Sheet: /mode\_selection/  
File: mode\_selection.kicad\_sch

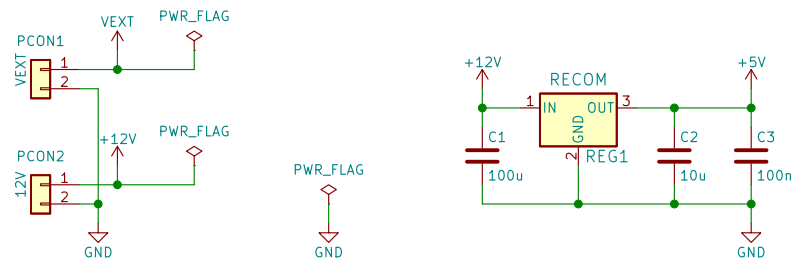
<b>Title:</b>		<b>Rev:</b>
Size: A4	Date:	
KiCad E.D.A. kicad (5.99.0-2262-g2675f6947)		Id: 4/7



Sheet: /analog_io/		
File: analog_io.kicad_sch		
<b>Title:</b>		
Size: A4	Date:	Rev:
KiCad E.D.A. kicad (5.99.0-2262-g2675f6947)		Id: 5/7



Sheet: /digital_io/		File: digital_io.kicad_sch	
<b>Title:</b>			
Size: A4	Date:	Rev:	
KiCad E.D.A. kicad (5.99.0-2262-g2675f6947)		Id: 6/7	



Sheet: /power/  
 File: power.kicad\_sch

<b>Title:</b>	
Size: A4	Date:
KiCad E.D.A. kicad (5.99.0-2262-g2675f6947)	
Rev:	Id: 7/7